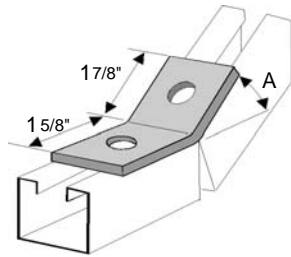


Two-Hole Open Short Angle

AF220

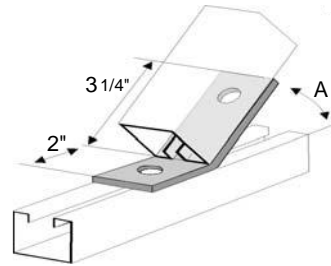


PART No.	A
AF220-1	30°
AF220-2	45°
AF220-3	60°
AF220-4	75°

Wt./C 37 Lbs.
Std. Pkg. 50 Pcs.

Two-Hole Open Angle

AF221

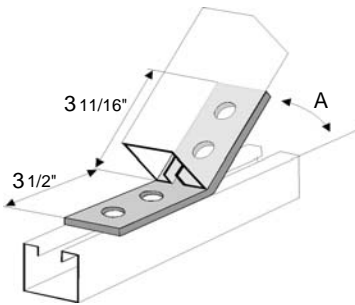


PART No.	A
AF221-1	30°
AF221-2	45°
AF221-3	60°
AF221-4	75°

Wt./C 56 Lbs.
Std. Pkg. 25 Pcs.

Four-Hole Open Angle

AF425

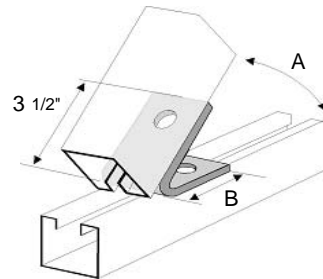


PART No.	A
AF425-1	30°
AF425-2	45°
AF425-3	60°
AF425-4	75°

Wt./C 77 Lbs.
Std. Pkg. 25 Pcs.

Two-Hole Closed Angle

AF225

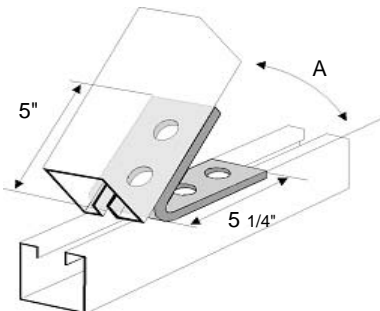


Std. Pkg. 25 Pcs.

PART No.	A	B	Wt. Per 100
AF225-1	30°	3 1/2	73 #
AF225-2	45°	2 1/2	62 #
AF225-3	60°	2 1/2	62 #
AF225-4	75°	2 1/2	62 #

Four-Hole Closed Angle

AF426



Wt./C 108 Lbs.
Std. Pkg. 25 Pcs.

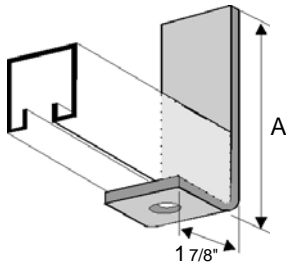
PART No.	A
AF426-1	30°
AF426-2	45°
AF426-3	60°
AF426-4	75°

FITTING SPECIFICATIONS (unless noted): Hole Size-9/16" Diameter; Hole Spacing-13/16" from end and 1 7/8" on center.
Width-1 5/8"; Thickness 1/4"

FINISHES AVAILABLE: Zinc Plated, Hot-Dipped Galvanized & Stainless Steel

One-Hole Corner Angle

AF100

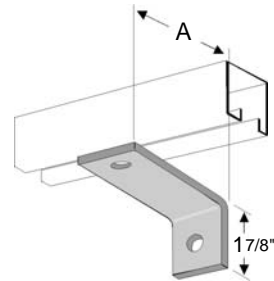


Std. Pkg. 25 Pcs.

PART No.	Dim. A	Wt. Per 100
AF100-1	3 7/8	60#
AF100-2	5 7/8	85#
AF100-3	7 7/8	107#
AF100-4	9 7/8	129#

Two-Hole Corner Angle

AF101

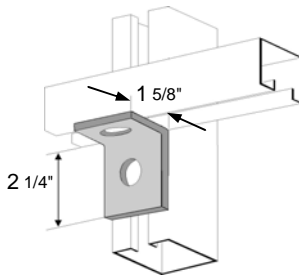


Std. Pkg. 50 Pcs.

PART No.	Dim. A	Wt. Per 100
AF101-1	3	48#
AF101-2	3 1/2	53#
AF101-3	4	60#

Two-Hole Corner Angle

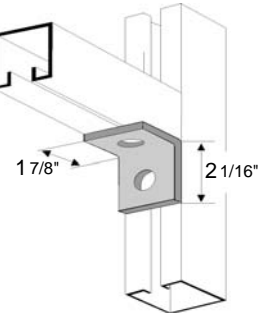
AF200



Wt./C 37 Lbs.
Std. Pkg. 50 Pcs.

Two-Hole Corner Angle

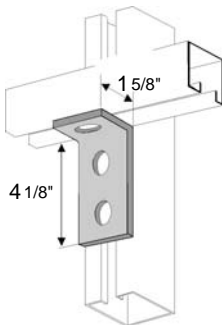
AF201



Wt./C 37 Lbs.
Std. Pkg. 50 Pcs.

Three-Hole Corner Angle

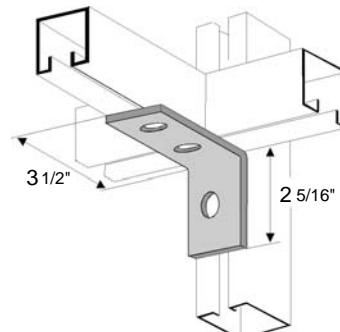
AF300



Wt./C 56 Lbs.
Std. Pkg. 25 Pcs.

Three-Hole Corner Angle

AF301

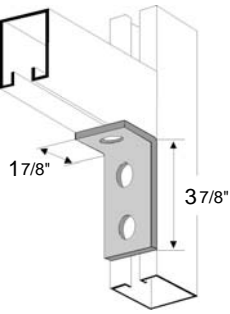


Wt./C 56 Lbs.
Std. Pkg. 25 Pcs.

FITTING SPECIFICATIONS (unless noted): Hole Size-9/16" Diameter; Hole Spacing-13/16" from end and 1 7/8" on center.
Width-1 5/8"; Thickness 1/4"

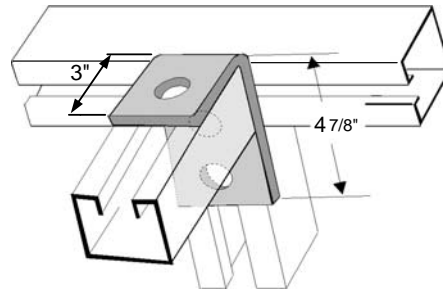
FINISHES AVAILABLE: Zinc Plated, Hot-Dipped Galvanized & Stainless Steel

Three-Hole Corner Angle AF302



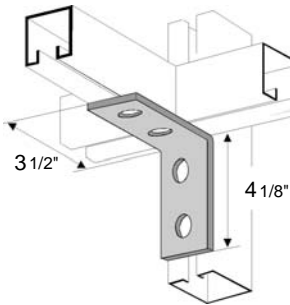
Wt./C 56 Lbs.
Std. Pkg. 25 Pcs.

Three-Hole Corner Angle AF303



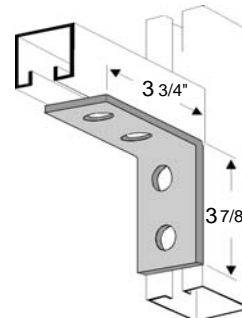
Wt./C 78 Lbs.
Std. Pkg. 25 Pcs.

Four-Hole Corner Angle AF400



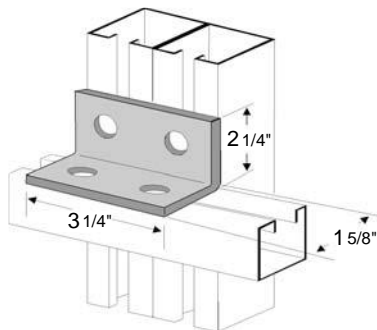
Wt./C 78 Lbs.
Std. Pkg. 20 Pcs.

Four-Hole Corner Angle AF401



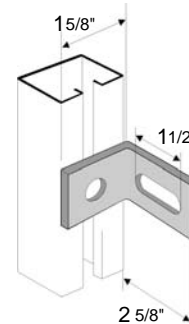
Wt./C 76 Lbs.
Std. Pkg. 20 Pcs.

Four-Hole Corner Angle AF402



Wt./C 73 Lbs.
Std. Pkg. 20 Pcs.

Two-Hole Adjustable Corner Angle AF210



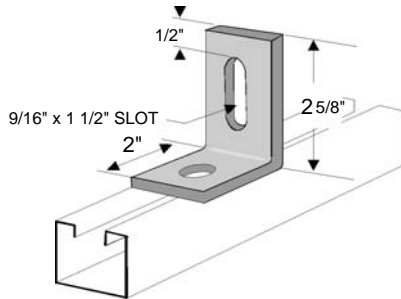
Wt./C 38 Lbs.
Std. Pkg. 25 Pcs.

FITTING SPECIFICATIONS (unless noted): Hole Size-9/16" Diameter; Hole Spacing-13/16" from end and 1 7/8" on center. Width-1 5/8"; Thickness 1/4"

FINISHES AVAILABLE: Zinc Plated, Hot-Dipped Galvanized & Stainless Steel

**Two-Hole Adjustable
Corner Angle**

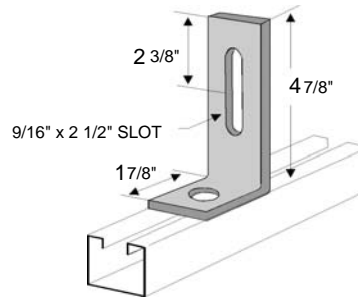
AF211



Wt./C 41 Lbs.
Std. Pkg. 25 Pcs.

**Two-Hole Adjustable
Corner Angle**

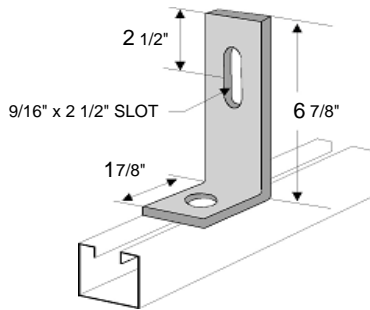
AF212



Wt./C 58 Lbs.
Std. Pkg. 25 Pcs.

**Two-Hole Adjustable
Corner Angle**

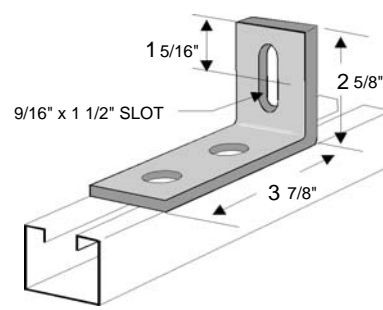
AF213



Wt./C 58 Lbs.
Std. Pkg. 25 Pcs.

**Three-Hole Adjustable
Corner Angle**

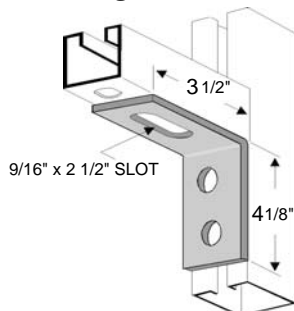
AF214



Wt./C 61 Lbs.
Std. Pkg. 25 Pcs.

**Three-Hole Adjustable
Corner Angle**

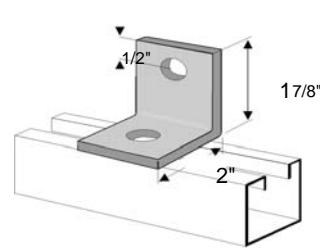
AF215



Wt./C 68 Lbs.
Std. Pkg. 20 Pcs.

Two-Hole Bus Duct Angle

AF219

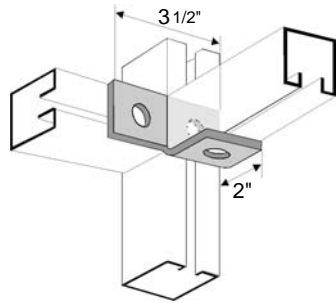


Wt./C 37 Lbs.
Std. Pkg. 25 Pcs.

FITTING SPECIFICATIONS (unless noted) : Hole Size-9/16" Diameter; Hole Spacing-13/16" from end and 1 7/8" on center.
Width-1 5/8"; Thickness 1/4"

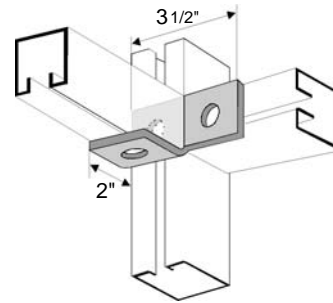
FINISHES AVAILABLE: Zinc Plated, Hot-Dipped Galvanized & Stainless Steel

Three-Hole Offset Bent Angle AF310



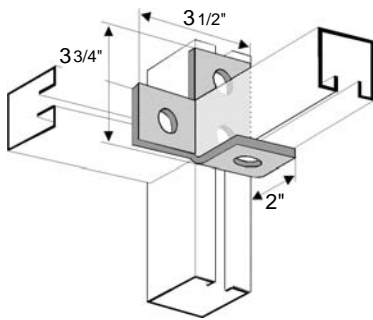
Wt./C 65 Lbs.
Std. Pkg. 25 Pcs.

Three-Hole Offset Bent Angle AF311



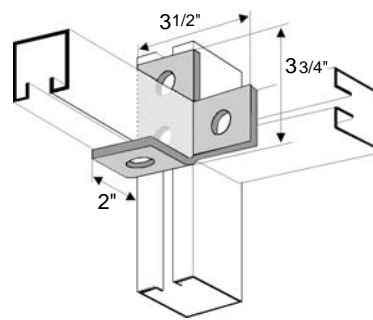
Wt./C 65 Lbs.
Std. Pkg. 25 Pcs.

Four-Hole Offset Bent Angle AF410



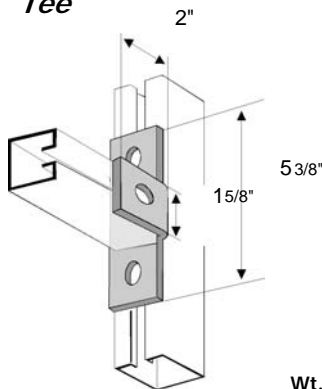
Wt./C 76 Lbs.
Std. Pkg. 20 Pcs.

Four-Hole Offset Bent Angle AF411



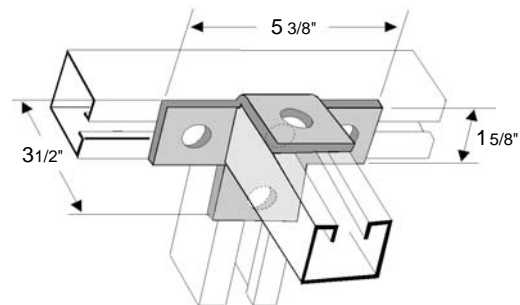
Wt./C 76 Lbs.
Std. Pkg. 20 Pcs.

Four-Hole Offset Bent Tee AF415



Wt./C 76 Lbs.
Std. Pkg. 20 Pcs.

Five-Hole Offset Bent Tee AF510

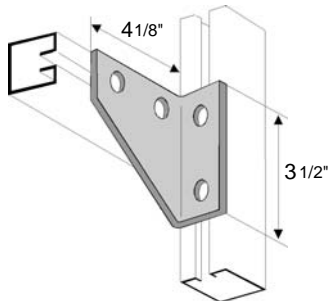


Wt./C 96 Lbs.
Std. Pkg. 10 Pcs.

FITTING SPECIFICATIONS (unless noted): Hole Size-9/16" Diameter; Hole Spacing-13/16" from end and 1 7/8" on center.
Width-1 5/8"; Thickness 1/4"

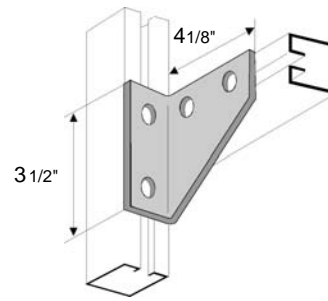
FINISHES AVAILABLE: Zinc Plated, Hot-Dipped Galvanized & Stainless Steel

Four-Hole Corner Gusset AF420



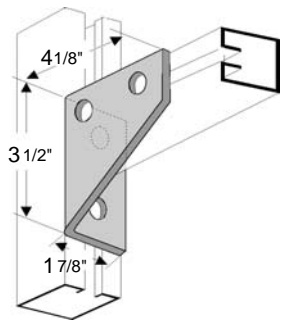
Wt./C 100 Lbs.
Std. Pkg. 20 Pcs.

Four-Hole Corner Gusset AF421



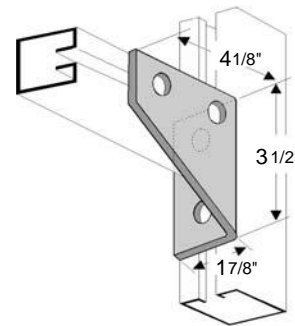
Wt./C 100 Lbs.
Std. Pkg. 20 Pcs.

Four-Hole Corner Gusset AF422



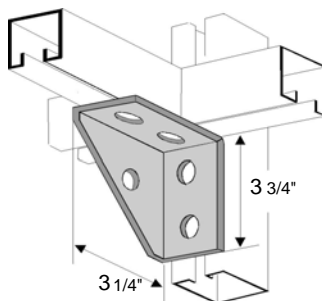
Wt./C 100 Lbs.
Std. Pkg. 20 Pcs.

Four-Hole Corner Gusset AF423



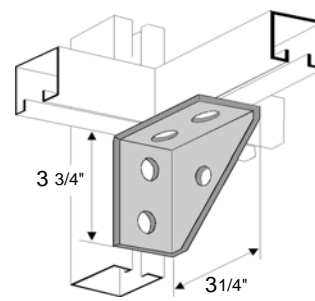
Wt./C 100 Lbs.
Std. Pkg. 25 Pcs.

Five-Hole Webbed Corner Angle AF430



Wt./C 132 Lbs.
Std. Pkg. 10 Pcs.

Five-Hole Webbed Corner Angle AF431



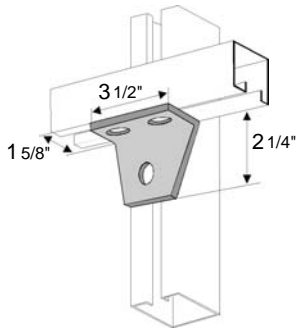
Wt./C 132 Lbs.
Std. Pkg. 10 Pcs.

FITTING SPECIFICATIONS (unless noted) : Hole Size-9/16" Diameter; Hole Spacing-13/16" from end and 1 7/8" on center.
Width-1 5/8"; Thickness 1/4"

FINISHES AVAILABLE: Zinc Plated, Hot-Dipped Galvanized & Stainless Steel

**Three-Hole Shelf Gusset
Angle**

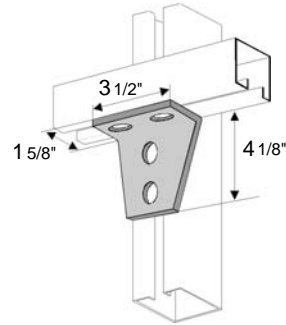
AF340



Wt./C 67 Lbs.
Std. Pkg. 20 Pcs.

**Four-Hole Shelf Gusset
Angle**

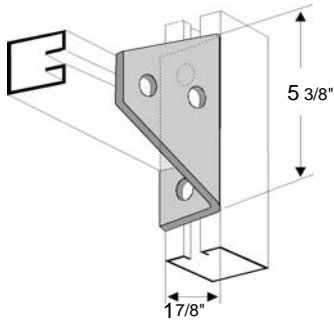
AF440



Wt./C 102 Lbs.
Std. Pkg. 20 Pcs.

**Four-Hole Shelf Gusset
Angle**

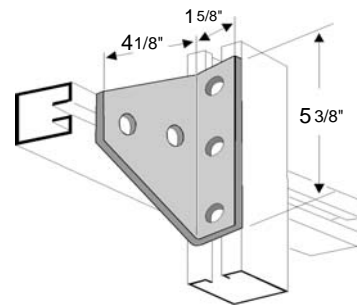
AF441



Wt./C 148 Lbs.
Std. Pkg. 20 Pcs.

**Five-Hole Shelf Gusset
Angle**

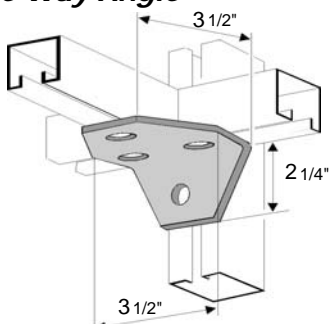
AF540



Wt./C 141 Lbs.
Std. Pkg. 20 Pcs.

**Four-Hole Shelf Gusset
Three Way Angle**

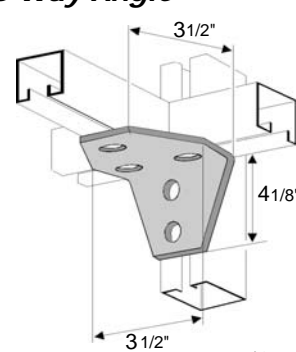
AF445



Wt./C 101 Lbs.
Std. Pkg. 20 Pcs.

**Five-Hole Shelf Gusset
Three Way Angle**

AF545



Wt./C 135 Lbs.
Std. Pkg. 15 Pcs.

FITTING SPECIFICATIONS (unless noted): Hole Size-9/16" Diameter; Hole Spacing-13/16" from end and 1 7/8" on center.
Width-1 5/8"; Thickness 1/4"

FINISHES AVAILABLE: Zinc Plated, Hot-Dipped Galvanized & Stainless Steel